

Image may differ from product. See technical specification for details.

UCP 214

Pillow block ball bearing unit with extended inner ring and set screw locking, cast iron, Japanese standards

Pillow (plummer) block ball bearing units consist of an insert bearing mounted in a cast iron housing that can be bolted to a support surface. This variant is strong and stiff, and is suitable for applications with both constant and alternating directions of rotation. It has an inner ring extended on both sides and is locked onto the shaft by tightening a set screw on the inner ring, making it easy to mount.

- Strong
- Designed for a constant and alternating rotation
- Ready to mount
- Lubricated and sealed bearing
- Quick locking onto the shaft
- Cost-effective

Overview

Dimensions

Shaft diameter	70 mm
Centre height (pillow block)	79.4 mm
Housing overall width	72 mm
Centre distance between bolt holes	210 mm
Bearing width, total	74.6 mm

Performance

Basic dynamic load rating	62.4 kN
Basic static load rating	44 kN
Limiting speed	2 250 r/min
Note	Limiting speed with shaft tolerance h6

Properties

Housing type	Pillow block
Number of bolt holes for fasteners	2
Fastening bolt hole type	Plain
Retaining feature, inner ring	Set screws
Bore type	Cylindrical
Rubber seating ring	Without
Material, housing	Cast iron
Material, bearing	Bearing steel
Coating	Without
Sealing, bearing	Seal and flinger on both sides
Sealing type	Contact, standard
Sealing, unit	Without
Lubricant	Grease
Relubrication hole	With
Grease fitting	With

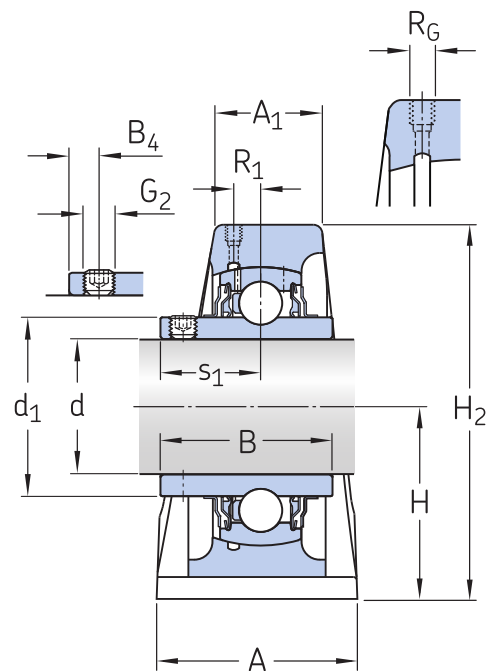
Logistics

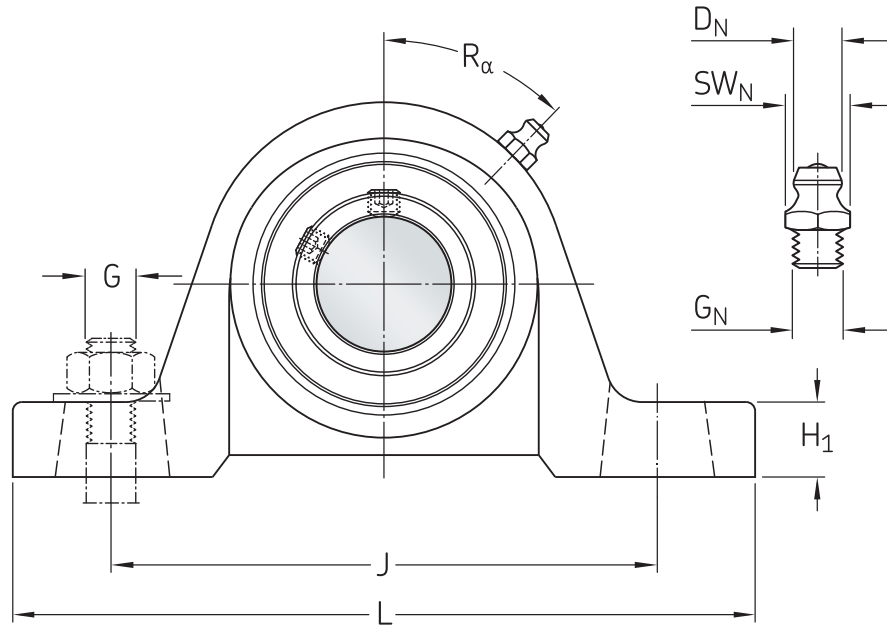
Product net weight	7.1 kg
--------------------	--------

eClass code	23-05-16-02
UNSPSC code	31171536

Technical specification

Compliance with standard	JIS
Purpose specific	For material handling applications
Material, housing	Cast iron
Sealing, bearing	Seal and flinger on both sides
Sealing type, bearing	Contact, standard
Sealing, unit	Without
Coating	Without





Dimensions

d	70 mm	Bore diameter
d_1	≈ 87 mm	Shoulder diameter of inner ring
A	72 mm	Base width
A_1	41 mm	Top width
B	74.6 mm	Width of inner ring
B_4	12 mm	Distance from locking device side face to thread centre
H	79.4 mm	Height of spherical seat centre
H_1	28 mm	Foot height
H_2	159.5 mm	Overall height
J	210 mm	Distance between attachment bolts
J	max. 215 mm	Distance between attachment bolts
J	min. 205 mm	Distance between attachment bolts
L	266 mm	Overall length
N	25 mm	Diameter of attachment bolt hole
N_1	30 mm	Length of attachment bolt hole
s_1	44.4 mm	Distance from locking device side face to raceway centre

THREADED HOLE

R_G	1/8-27 NPT	Housing thread for the grease fitting
R_1	4.5 mm	Axial position of the housing thread

R_a	45 °	Angular position of the housing thread
-------	------	--

GREASE FITTING

D_N	6.589 mm	Diameter of head sphere of grease fitting
SW_N	11.11 mm	Hexagonal key size for the grease fitting
G_N	1/8-27 NPT	Thread of grease fitting




Calculation data

Basic dynamic load rating	C	62.4 kN
Basic static load rating	C_0	44 kN
Fatigue load limit	P_u	1.86 kN
Limiting speed		2 250 r/min
		Limiting speed with shaft tolerance h6

Mounting information

Set screw	G_2	M12x1.5
Hexagonal key size for set screw		6.08 mm
Recommended tightening torque for set screw		28.5 N·m
Recommended diameter for attachment bolts, mm	G	20 mm
Recommended diameter for attachment bolts, inch	G	0.75 in

More Information

 Product details	 Engineering information	 Tools
Pillow block units to ISO standards		SKF Product select
Pillow block units to North American standards	Principles of ball bearing units selection and application - Download catalogue (4.9 MB)	Bearing Frequency Calculator
Pillow block units to Japanese Industrial Standards (JIS)	Principles of selecting mounted bearing solutions	
Pillow block units, not standardized (incl. SKF Food Line)	Bearing failure and how to prevent it	
Permissible misalignment		
Locating/non-locating support		
Loads		
Temperature limits		
Permissible speed		
Lubrication		
Mounting and dismounting		
Ordering information		
Designation system		



Terms of use

By accessing and using this website / app owned and published by AB SKF (publ.) (556007-3495 · Gothenburg) ("SKF"), you agree to the following terms and conditions:

Warranty Disclaimer and Limitation of Liability

Although every care has been taken to assure the accuracy of the information on this website / app, SKF provides this information "AS IS" and DISCLAIMS ALL WARRANTIES, EXPRESS OR IMPLIED, INCLUDING, BUT NOT LIMITED TO, IMPLIED WARRANTIES OF MERCHANTABILITY AND FITNESS FOR A PARTICULAR PURPOSE. You acknowledge that your use of this website / app is at your sole risk, that you assume full responsibility for all costs associated with use of this website / app, and that SKF shall not be liable for any direct, incidental, consequential, or indirect damages of any kind arising out of your access to, or use of the information or software made available on this website / app.

Any warranties and representations in this website / app for SKF products or services that you purchase or use will be subject to the agreed upon terms and conditions in the contract for such product or service.

Further, for non-SKF websites / apps that are referenced in our website / app or where a hyperlink appears, SKF makes no warranties concerning the accuracy or reliability of the information in these websites / apps and assumes no responsibility for material created or published by third parties contained therein. In addition, SKF does not warrant that this website / app or these other linked websites / apps are free from viruses or other harmful elements.

Third Party Services

When viewing YouTube content via the SKF website(s) (i.e. using [YouTube API Services](#)), you agree to be bound by the [YouTube Terms of Service](#).

Copyright

Copyright in this website / app copyright of the information and software made available on this website / app rest with SKF or its licensors. All rights are reserved. All licensed material will reference the licensor that has granted SKF the right to use the material. The information and software made available on this website / app may not be reproduced, duplicated, copied, transferred, distributed, stored, modified, downloaded or otherwise exploited for any commercial use without the prior written approval of SKF. However, it may be reproduced, stored and downloaded for use by individuals without prior written approval of SKF. Under no circumstances may this information or software be supplied to third parties.

This website /app includes certain images used under license from Shutterstock, Inc.

Trademarks and Patents

All trademarks, brand names, and corporate logos displayed on the website / app are the property of SKF or its licensors, and may not be used in any way without prior written approval by SKF. All licensed trademarks published on this website / app reference the licensor that has granted SKF the right to use the trademark. Access to this website / app does not grant to the user any license under any patents owned by or licensed to SKF.

Changes

SKF reserves the right to make changes or additions to this website / app at any time.